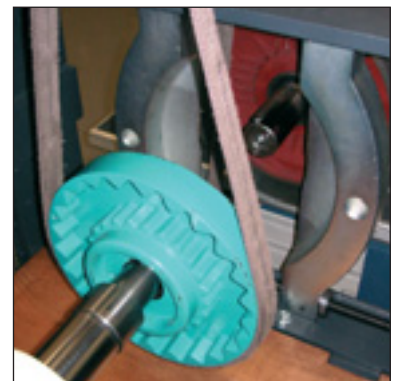
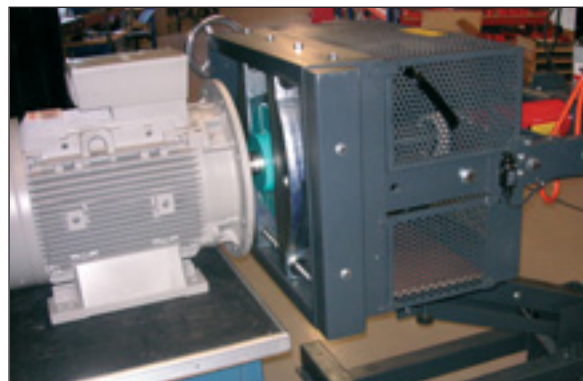


THE COMPLETE RANGE OF TOOLS FOR MOUNTING, DISMOUNTING AND CHECKING OF ROTATING EQUIPMENT, IN MAINTENANCE AND PRODUCTION



BETEX

MOBIPULLER **MOBILE HYDRAULIC PULLER**



THE BETEX MOBIPULLER

is a heavy duty, mobile hydraulic puller. It is used for dismantling bearings, couplings, gears and other parts, with relative speed and ease. The Mobipuller excels through functional and ergonomic operation.

It is stable, mobile and adjustable in height. A maximum tractive force of either 25 or 50 tons can be applied with diameters of upto 430 mm.

To ensure safe and easy operation the electrical models are equipped with remote control.

Optional:

For diameters larger than 430 mm, we advise to use an extension adaptor, for a max. diameter of 1500 mm and a max. shaft length of 970 mm!

Remote control ►

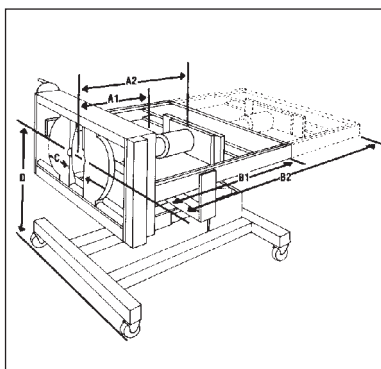
For personal safety ►
all models are equipped with a safety cage



▲ Auxiliary tools for dismantling of inner rings and delicate components.

MEANING OF CODES:

25-50	tractive force in tons
430	max. diameter in mm
H	manual hydraulic
E	electrical hydraulic
V	mobile
A	remote control
S	max. stroke in mm
D	double acting



	Type	manual hydraulic		electric hydraulic		electric hydraulic double acting	
	force (tonnes)	25	50	25	50	50	50
S	stroke cylinder mm	260	260/340	260	260/340	340	460
	pump manual/ electric 230 V	manual	manual	single acting electric		double acting electric	
A1	in standard position mm	575	575/500	575	575/500	450	300
A2	in extended position mm	955	955/800	955	955/880	830	680
B1	frame length standard mm	1210	1210	1210	1210	1210	1210
B2	frame length extended mm	1590	1590	1590	1590	1590	1590
	position high/low mm	1100/1650	1100/1650	1100/1650	1100/1650	1100/1650	1100/1650
	dimensions L x W mm	1470x1040	1470x1040	1470x1040	1470x1040	1470x1040	1470x1040
C	diameter of jaws mm	430	430	430	430	430	430
D	set-up height mm	800/1360	800/1360	800/1360	800/1360	800/1360	800/1360
	adapters mm (175 mm)	Ø40,50	Ø40,50	Ø40,50	Ø40,50	Ø40,50	Ø40,50
	safety cage	yes	yes	yes, incl. safety switch		yes, incl. safety switch	
	weight kg	± 400	± 400	± 400	± 400	± 400	± 400
	emergency stop			yes	yes	yes	yes
	pressure gauge	yes	yes	yes	yes	yes	yes



Bega International b.v.

P.O. Box 118, 8160 AC Epe
The Netherlands
Tel. + 31(0) 578 668000
Fax + 31(0) 578 668080
www.bega.nl, info@bega.nl

